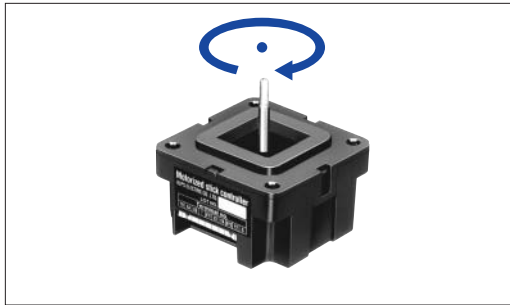


Multi Control Devices Motorized Stick Controller

RKJXF Series



Small model for high efficient surround mixing free from operational irregularity.



Features

- Superior operational feeling free from operational irregularity due to direction. Ideal for finger-tip operation.
- Lever can be moved and setup to the required position with the motor drive system.
- Touch sense track is provided as a standard feature.
- The small DC motor with slowdown gear system provides an excellent space-saving factor.

Applications

- Surround panning for studio mixer

Typical Specifications

Items	Characteristics
Total resistance	5k Ω
Resistance taper	B (0B)
Motor voltage	4.5V DC
Motor maximum current	1A
Operating life	X-X and Y-Y direction 50,000 cycles each.

Standard Products List (Recommended Products)

Touch sense track	Products No.	Minimum packing unit (pcs.)
With	RKJXF1210000	10

Detector

Push

Slide

Rotary

Encoders

Power

Dual-in-line
Package Type

Multi Control
Devices

TACT Switch™

Custom-
Products

Variable
Resistor Type

Switch
Type

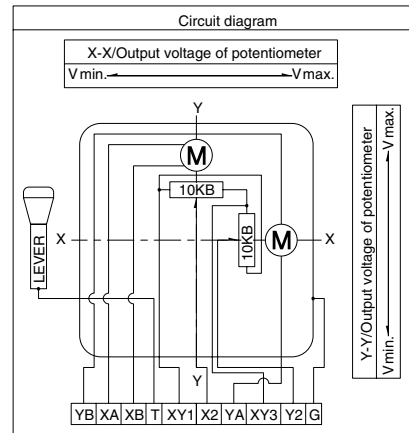
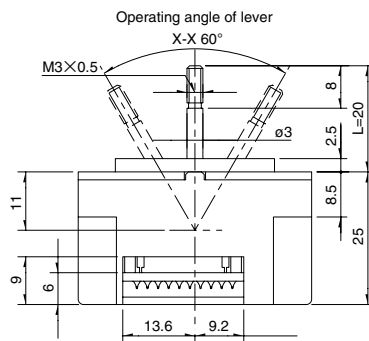
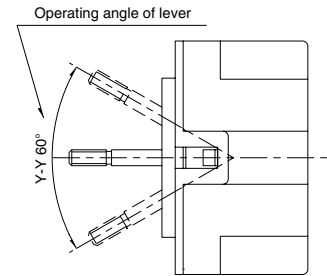
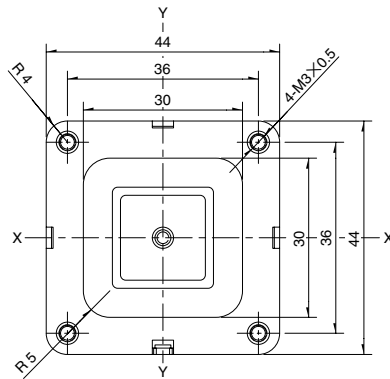
For other specifications, see P.281

Dimensions

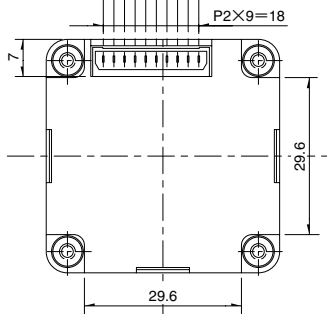
Unit:mm

- Detector
- Push
- Slide
- Rotary
- Encoders
- Power
- Dual-in-line Package Type
- Multi Control Devices**
- TACT Switch™
- Custom-Products
- Variable Resistor Type
- Switch Type**

RKJXF12



Connector	Terminal No.
Molex 53025-1010	YB XA XB T XY1 X2 YA XY3 Y2 G



Operating direction of lever	Polarity of motor terminal
X-X	← XA⊕, XB⊖
	→ XA⊖, XB⊕
Y-Y	↑ YA⊕, YB⊖
	↓ YA⊖, YB⊕

Products Specifications

Items			RKJXK	RKJXP	RKJXV	RKJXF
Operating temperature range			-10°C to +70°C			-10°C to +60°C
Electrical performance	Rated power		0.0125W			0.05W
	Directional resolution		Continuous			
	Insulation resistance		100MΩ min. 250V DC			
	Voltage proof		250V AC for 1min.			
Mechanical performance	Direction application force		8mN·m max. Without Lever return type 6±4mN·m Lever reset type	17±10mN·m		5±4.5mN·m
	Push application force		5.2±2.6N	6.4 ^{+3.4} _{-2.6} N		—
	Solder heat resistance	Manual soldering	300°C max. 3s max.			
		Dip soldering	260±5°C, 5±1s			
Slider noise			300mV max. by JIS method			100mV max. by JIS method
Lever stopper strength			0.3N·m	—		0.3N·m
Lever play			5°max.			—
Lever strength			50N min. (Push/Pull)		98N min. (Push) 50N min. (Pull)	30N min. (Push/Pull)
Endurance	Operating life	Directions	100,000 cycles	2,000,000 cycles		50,000 cycles
		Center detent	1,000,000 cycles			—
Environmental test	Cold		-30±2°C for 96h			-10±2°C for 96h
	Long-term heat resistance		80±2°C for 96h			70±2°C for 96h
	Moisture resistance		60±2°C, 90 to 95%RH for 96h			40±2°C, 90 to 95% RH for 96h

Detector

Push

Slide

Rotary

Encoders

Power

Dual-in-line
Package TypeMulti Control
Devices

TACT Switch™

Custom-
ProductsVariable
Resistor TypeSwitch
Type