

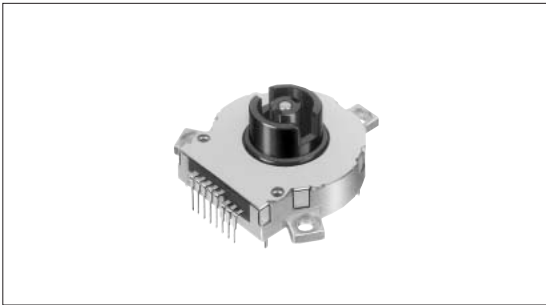
Encoder Jog-shuttle Switch Type

SRGP Series



Enhanced variety of products for jog shuttle.

- Detector
- Push
- Slide
- Rotary
- Encoders**



Features

- Compact, thin design with a good space factor.
- The jog unit permits a choice of operational modes, including detent, non-detent, etc.

Applications

- Editing and programming in VCRs, CD players, VCD players, DATs, etc

- Power
- Dual-in-line Package Type
- Multi Control Devices
- TACT Switch™
- Custom-Products

- Incremental Type
- Absolute Type**

Typical Specifications

Items		Specifications	
Rating (max.) / (min) (Resistive load)		10mA 5V DC//50μA 3V DC	
Output voltage	Shuttle part	4V min. at 1mA 5V DC (Resistive load)	
	Jog part		
Operating force	Type	SRGPHJ	
	Shuttle part	30±20mN·m	
	Jog part	5mN·m max.	
Operating life	Without load	Jog part	100,000cycles
		Shuttle part	50,000cycles
	With load	Jog part	100,000cycles
		Shuttle part	50,000cycles

Products Line

Construction	Jog operation	Jog output code	Shuttle operation	Shuttle operating angle	Minimum packing unit (pcs.)	Products No.
Standard	Detent	10-pulses	Momentary	160°	100	SRGPHJ3200

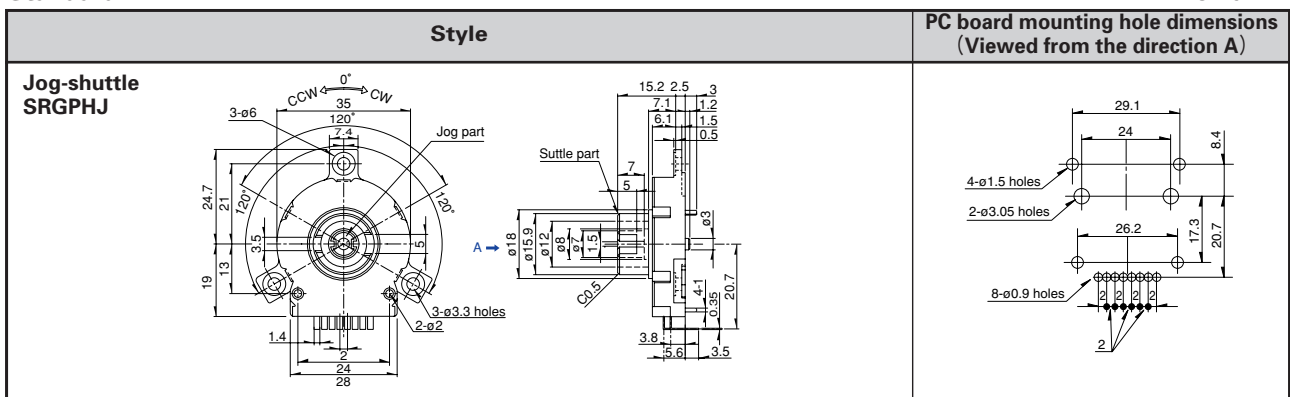
Note

Additional switches not included in the above list are also available. Contact us for details.

Dimensions

Standard

Unit:mm



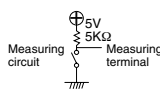
Output Codes (Shuttle Part)

Code table =ON

Series	Code position (Viewed from direction A)	Code table																																																																																																																							
SRGPHJ	A type 	<table border="1"> <thead> <tr> <th>Angle</th> <th>-80°</th> <th>-70°</th> <th>-60°</th> <th>-50°</th> <th>-40°</th> <th>-30°</th> <th>-20°</th> <th>-10°</th> <th>-5°</th> <th>0°</th> <th>10°</th> <th>20°</th> <th>30°</th> <th>40°</th> <th>50°</th> <th>60°</th> <th>70°</th> <th>80°</th> </tr> </thead> <tbody> <tr> <td>Terminal ①</td> <td colspan="10">ON</td> <td colspan="9">OFF</td> </tr> <tr> <td>Terminal ②</td> <td colspan="5">OFF</td> <td colspan="5">ON</td> <td colspan="9">OFF</td> </tr> <tr> <td>Terminal ③</td> <td colspan="5">ON</td> <td colspan="5">OFF</td> <td colspan="9">OFF</td> </tr> <tr> <td>Terminal ④</td> <td colspan="5">OFF</td> <td colspan="5">ON</td> <td colspan="9">ON</td> </tr> <tr> <td>C.1</td> <td colspan="19">ON</td> </tr> </tbody> </table>	Angle	-80°	-70°	-60°	-50°	-40°	-30°	-20°	-10°	-5°	0°	10°	20°	30°	40°	50°	60°	70°	80°	Terminal ①	ON										OFF									Terminal ②	OFF					ON					OFF									Terminal ③	ON					OFF					OFF									Terminal ④	OFF					ON					ON									C.1	ON																		
		Angle	-80°	-70°	-60°	-50°	-40°	-30°	-20°	-10°	-5°	0°	10°	20°	30°	40°	50°	60°	70°	80°																																																																																																					
Terminal ①	ON										OFF																																																																																																														
Terminal ②	OFF					ON					OFF																																																																																																														
Terminal ③	ON					OFF					OFF																																																																																																														
Terminal ④	OFF					ON					ON																																																																																																														
C.1	ON																																																																																																																								
		CCW ← → CW																																																																																																																							

For other specifications, see P.231

Products Specifications

Items		Series		SRRQ	SRGH	SRGA	SRGPHJ
Operating temperature range		-10°C to +60°C					
Rating (max.) (Resistive load)		0.1A 6V DC		0.1A 12V DC		10mA 5V DC	
Electrical performance	Initial contact resistance		1 Ω max.				
	Output voltage	Shuttle part					4V min. at 1mA 5V DC (resistive load) 
		Jog part					
	Insulation resistance		100M Ω min. 100V DC				
	Voltage proof		100V AC for 1 min.				
Mechanical performance	Rotational torque		Shall be in accordance with individual specifications.				
	Robustness of terminal		5N for 1 min.				
	Robustness of actuator	Rotational direction					0.6 N · m
		Push direction	5N	100N			
	Vibration		10 to 55 to 10Hz/min., the amplitude is 1.5mm for all the frequencies, in the 3 direction of X, Y and Z for 2 hours respectively				
	Resistance to soldering heat	Manual soldering	300±10°C, 3 ⁺¹ ₀ s	350±10°C, 3 ⁺¹ ₀ s		300±10°C, 3 ⁺¹ ₀ s	
		Dip soldering	260±5°C, 10±1s				260±5°C, 5±1s
Reflow soldering				150°C 2min max. 220°C 30s max.			
Durability	Operating life without load		10,000 cycles			Shuttle part:50,000 cycles Jog part:100,000 cycles	
	Operating life with load Load : As rating		10,000 cycles			Shuttle part:50,000 cycles Jog part:100,000 cycles	
Environmental performance	Cold		-20±2°C for 96h				
	Dry heat		85±2°C for 96h				
	Damp heat		40±2°C, 90 to 95%RH for 96h				

Detector

Push

Slide

Rotary

Encoders

Power

Dual-in-line
Package Type

Multi Control
Devices

TACT Switch™

Custom-
Products

Incremental
Type

Absolute
Type

Note

Shall be in accordance with individual specifications.