

K12S D

High Performance SMT Detect Switches



Features/Benefits

- Harsh environment applications - IP67
- Compatible with SMT lead free soldering process
- Illuminated
- Permanent actuation possible
- High reliability / long life
- DPST version available
- RoHS compliant

Typical Applications

- Automotive
- Joysticks
- Off-road transportation
- Motorcycles
- Industrial
- Medical

Construction:

FUNCTION: Momentary
CONTACT ARRANGEMENT: SPST or DPST
CONTACT TYPE: NO or NC
TERMINALS: SMT

Mechanical

TOTAL TRAVEL: 1,5 mm
OPERATING FORCE: 3N
SEALING: IP40 or IP67

Packaging

Reels of 900 pieces

Electrical

SWITCHING POWER MIN./MAX.: 0.02mW/3 W DC
SWITCHING VOLTAGE MIN./MAX.: 2 V / 30 V DC
SWITCHING CURRENT MIN./MAX.: 10 mA /100 mA DC
DIELECTRIC STRENGTH: > 300 V RMS
OPERATING LIFE: > 10⁶ operations (detect version)
CONTACT RESISTANCE: Initial < 100mΩ - After test < 250mΩ
INSULATION RESISTANCE: >10⁹Ω
BOUNCE TIME: < 10 ms

Environmental

OPERATING TEMPERATURE: -40°C to 85°C.
STORAGE TEMPERATURE: -40°C to 95°C.
RoHS compliant and Halogen free.

Process

SOLDERABILITY: Lead free soldering compatible.

Build-A-Switch

To order, simply select desired option from each category and place in the appropriate box. Available options are shown and described on the next page. For additional options not shown in catalog, consult Customer Service Center.



Sub-Series

- A** IP40 with peg
- B** IP67 with peg
- C** IP40 without peg
- D** IP67 without peg

Option

- S** SPST version
- L** LED version (SPST)
- D** DPST version

LED Color

- NONE** No LED
- YE0** Yellow
- RD0** Red
- GN0** Green
- OR0** Orange
- WH0** White
- AM0** Amber

Travel
1.5 1.5 mm

Operating Force

3N 3 N
(detect - no tactile)

LFTX Lead free, RoHS
terminals tin plated
Translucent button

Contact Arrangement

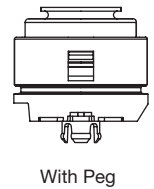
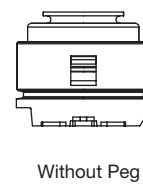
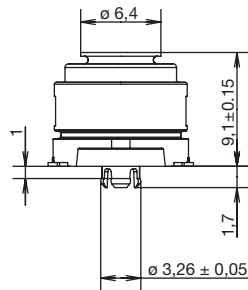
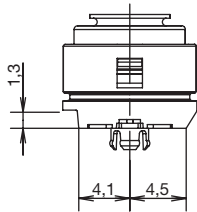
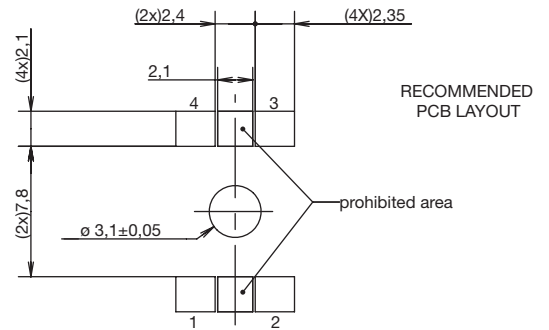
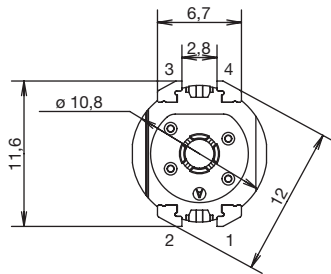
- O** Normally open (SPST)
- C** Normally closed (SPST)
- OO** 2 Normally open (DPST)
- CC*** 2 Normally closed (DPST)
- OC*** 1 Normally open
- 1 Normally closed (DPST)

* Please contact technical support for this configuration

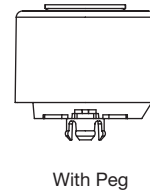
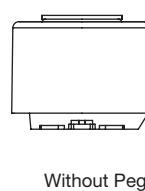
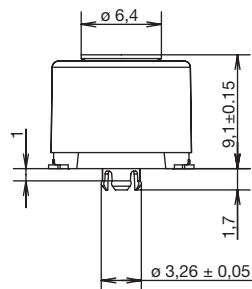
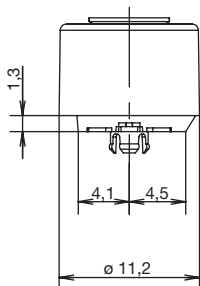
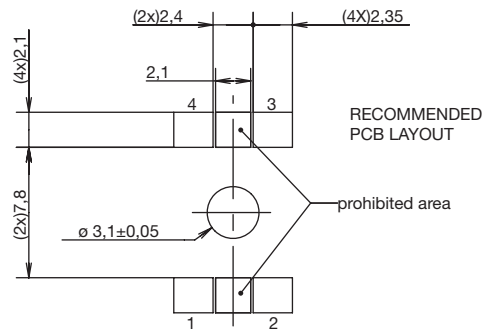
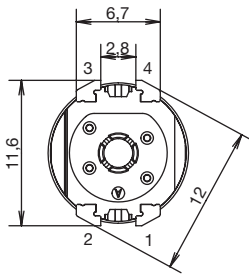
Detect

K12S D High Performance SMT Detect Switches

K12SA/K12SC IP40 with peg / IP40 without peg



K12SB / K12SD IP67 with peg / IP67 without peg



Detect



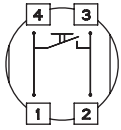
Dimensions are shown: mm
Specifications and dimensions subject to change

K12S D High Performance SMT Detect Switches

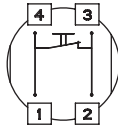
OPTION

S SPST version

Single NO

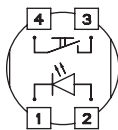


Single NC

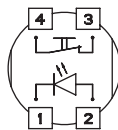


L LED version

Single NO
+ LED

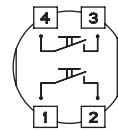


Single NC
+ LED

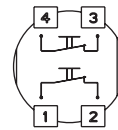


D DPST version

Double NO



Double NC



LED COLOR

OPTION CODE	LED COLOR
	No LED
YE0	Yellow
RD0	Red
GN0	Green
OR0	Orange
WH0	White
AM0	Amber

TRAVEL

1.5 1.5 mm

OPERATING FORCE

OPTION CODE	OPERATING FORCE
3N	3N (detect - no tactile)

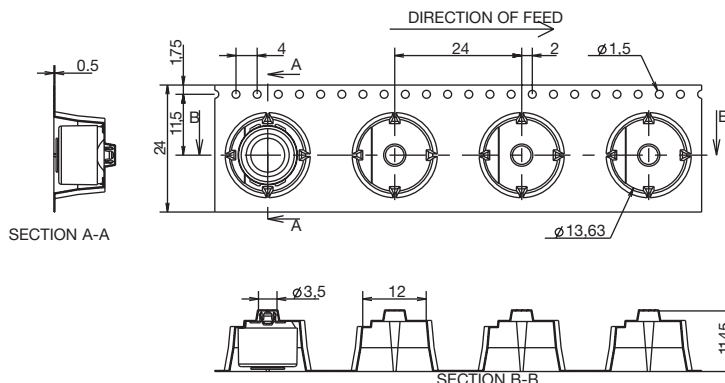
CONTACT ARRANGEMENT

- O** Normally open (SPST and LED versions)
- C** Normally closed (SPST and LED versions)
- OO** 2 Normally open (DPST version)

- CC*** 2 Normally closed (DPST version)
- OC*** 1 Normally open/ 1 Normally closed (DPST)

* Please contact technical support for this configuration

TAPE AND REEL



First Angle Projection

Dimensions are shown: mm
Specifications and dimensions subject to change