

NEW

EL Series Basic Tact Switch for SMT



Features/Benefits

- Cost efficient
- Market standard size
- SMT - Tape & reel
- IP67 sealed
- Silicone actuator

Typical Applications

- Smart meters
- Home appliances
- Consumer electronics
- Industrial electronics
- Medical portable devices

Specification

FUNCTION: Momentary action
 CONTACT ARRANGEMENT: SPST NO
 TERMINALS: J bend for SMT
 CONTACT MATERIAL: Silver plated

Mechanical

Type	Force (N)	Life (cycles)	Travel (mm)
EL35 20J LFS	2 ± 0.6	200,000	0.3 ± 0.2
EL35 35J LFS	3.5 ± 1.0		0.4 ± 0.2
EL52 20J LFS	2 ± 0.6		0.4 ± 0.25
EL52 35J LFS	3.5 ± 1.0		0.6 ± 0.25

Electrical

MAXIMUM POWER: 0.9 VA
 MINIMUM / MAXIMUM VOLTAGE: 1V / 18V
 MINIMUM / MAXIMUM CURRENT: 0.01 mA / 150 mA
 DIELECTRIC STRENGTH: 250 Vrms
 CONTACT RESISTANCE: ≤100 mΩ
 INSULATION RESISTANCE: (100 V): ≥100 MΩ
 BOUNCE TIME: ≤5 ms

Environmental

OPERATING TEMPERATURE: -40°C to 85°C
 STORAGE TEMPERATURE: -55°C to 85°C

Process

SOLDERING: This component is suited to the following methods:
 - Cleaning according to typical washing processes
 - Lead free reflow soldering process in accordance with IEC61760-1

Packaging

In reels of 2,000 pieces for EL35
 Width of carrier tape: 12 mm
 Dimensions of reels : 330 mm

In reels of 1,400 pieces for EL52
 Width of carrier tape: 16 mm
 Dimensions of reels : 380 mm

Note:

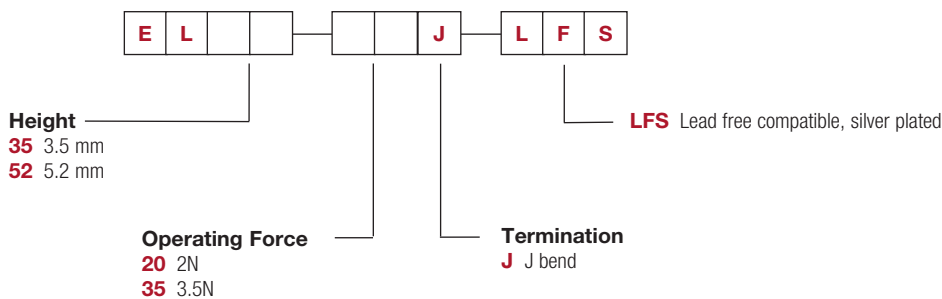
Specifications listed above are for switches with standard options. EL series is not subject to adaptation and/or modification for specific use. If additional features are required, please refer to the KSC series.

Price available on request only, please contact your sales representative.

B
Tactile Switches

How To Order

Our easy build-a-switch concept allows you to mix and match options to create the switch you need. To order, select desired option from each category and place it in the appropriate box.
 For any part number different from those listed above, please consult your local representative.



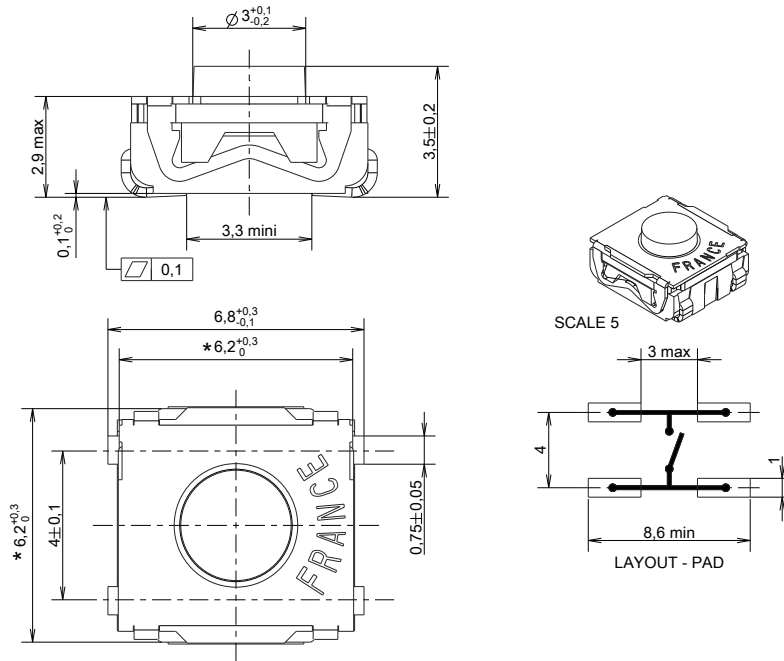
EL Series Basic Tact Switch for SMT

NEW

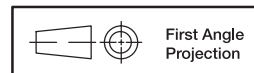
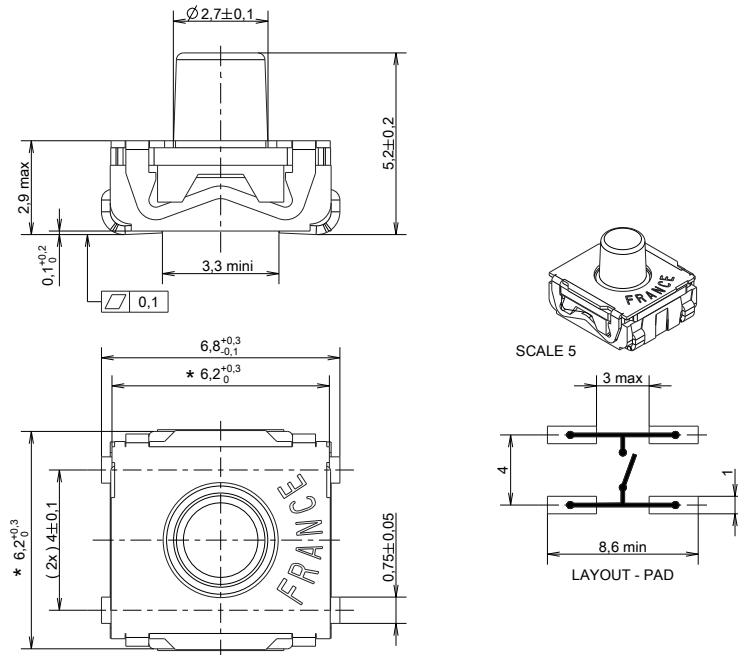
Tactile Switches

B

3.5 MM HEIGHT



5.2 MM HEIGHT



Dimensions are shown: mm
Specifications and dimensions subject to change