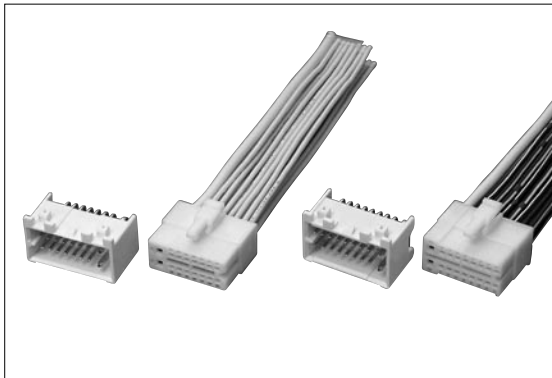


16P/18P Back Panel Connectors



Features

- Multiple pin design (16P: 14 pins for signals and 2 pins for power, 18P: 16 pins for signals and 2 pins for power).
- 15A capacity with the power contact and 3A for the signal contact.
- Large current capacity with the contacts of the power contact due to our original structure.
- Compactly dimensioned with a design to save space on PWBs and for mounting. Same mounting area on PWBs shared by 16P and 18P connectors.
- With a locking structure.
- Easy Insertion and withdrawal of the plug due to contact structure of low force design.

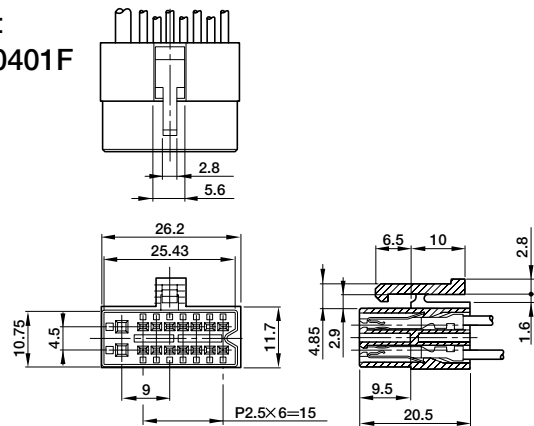
Specifications

- Rating : 15A (power pins), 3A (signal pins), 16V DC
- Contact Resistance : 20mΩ max.
- Insulation Resistance : 100MΩ min. at 500V DC
- Withstanding Voltage : 500V AC (for one minute)
- Operating Temperature Range : -35°C to +85°C

Material and Plating

- Socket
 - Housing : Thermoplastic Resin, Natural, 94HB
 - Terminal : Alloy, Sn Plating(Reflow Treatment)
- Plug
 - Housing : Thermoplastic Resin, Natural, 94V-0
 - Pin : Cu Alloy, Sn Plating(Reflow Treatment)

16P Socket CSS 3016-0401F



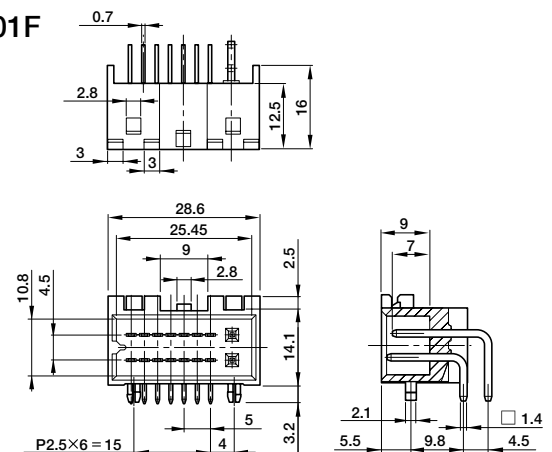
Socket Configuration List

Name	Part No.
Housing	101CSS-200-80F
Terminal	CTA1114-0801F
	CTA1118-0611F
	CTA1118-0612F

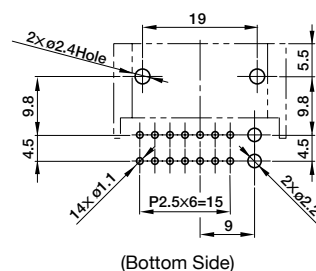
Socket Terminal

Part No.	Applicable Electrical Wire Size (AWG)	Electrical Wire Sheath Dia. (mm)	Material	Plating	No. of Terminals/ Reel
CTA1114-0801F	14~18	ø2.2~3.6	Cu Alloy	Sn Plating(Reflow Treatment)	3,000
CTA1118-0611F	20~24	ø1.5~2.0	Cu Alloy	Sn Plating(Reflow Treatment)	6,000
CTA1118-0612F	22~28	ø0.8~1.7	Cu Alloy	Sn Plating(Reflow Treatment)	6,000

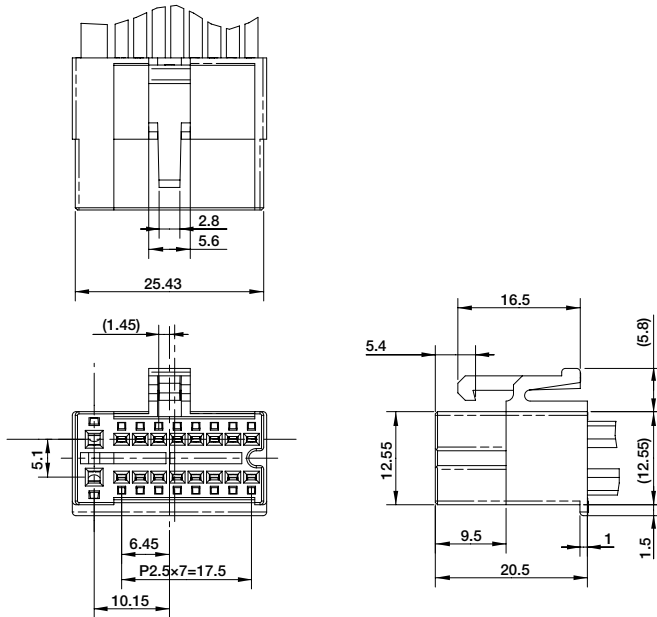
16P Plug CSC 5016-1101F



P.C. Board Dimension (t=1.6)



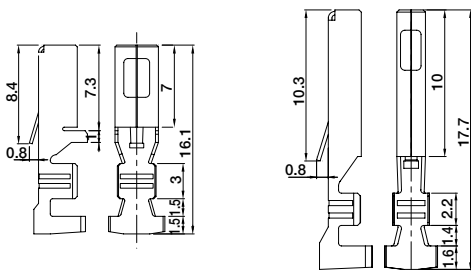
● 18P Socket
CSS3018-2901F



■ Socket Configuration List

Name	Part No.
Housing	101CSS-535-80F
	CTA1114-0801F
Terminal	CTA1118-0611F
	CTA1118-0612F
	CTA1118-0612F

● Terminal



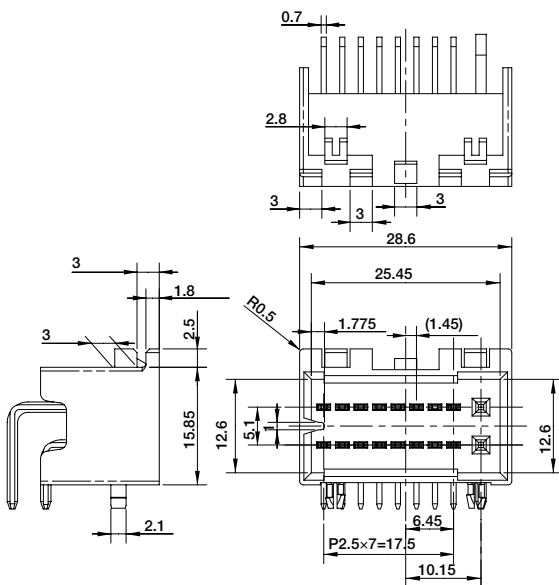
(CTA1114-0801F)

(CTA1118-06□□F)

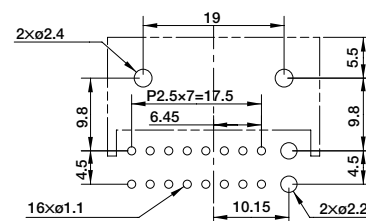
● Socket Terminal

Part No.	Applicable Electrical Wire Size (AWG)	Electrical Wire Sheath Dia. (mm)	Material	Plating	No. of Terminal/Reel
CTA1114-0801F	14~18	ø2.2~3.6	Cu Alloy	Sn Plating (Reflow Treatment)	3,000
CTA1118-0611F	20~24	ø1.5~2.0	Cu Alloy	Sn Plating (Reflow Treatment)	6,000
CTA1118-0612F	22~28	ø0.8~1.7	Cu Alloy	Sn Plating (Reflow Treatment)	6,000

● 18P Plug
CSC5018-5201F



■ P.C. Board Dimension (t=1.6)



(Bottom Side)