

Push Switch SW-74 Series

Features

- ◇ It is a light movement.
- ◇ Superior reliability at micro-current by employing a sliding contact.

Applications

- ◇ For insertion detection of various media, cartridge.
- ◇ Mechatronic detection for audio, VCR.



Products Line

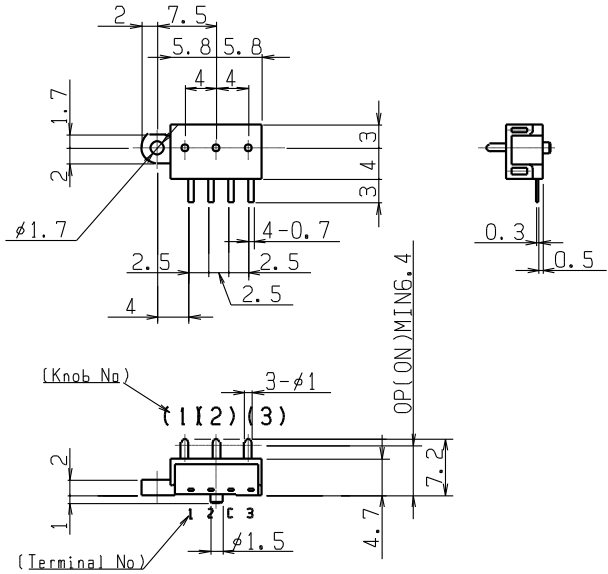
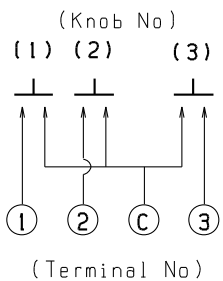
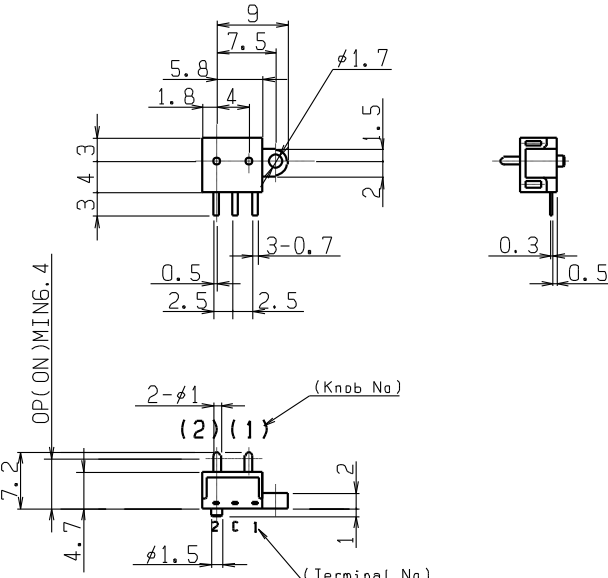
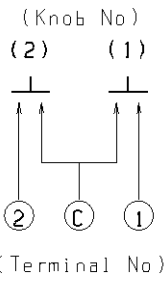
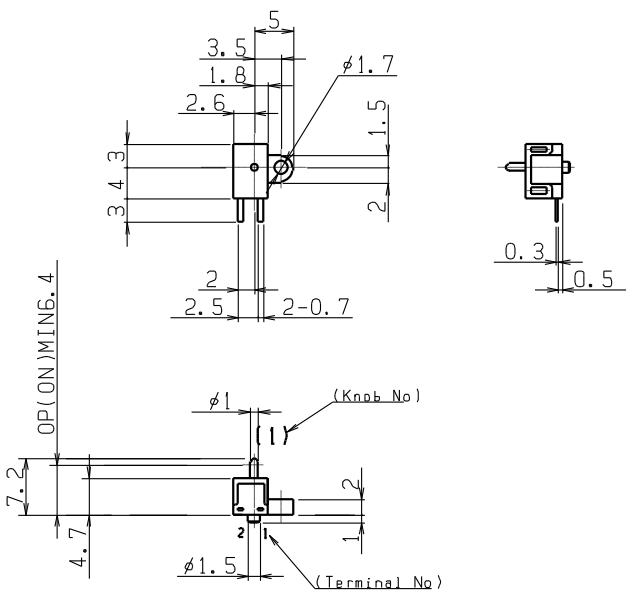
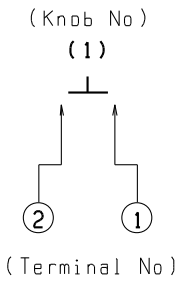
No	Products No	Poles	Positions	Operating force
1	SW-74	3	1	0.25N
2	SW-74-2	2	1	0.25N
3	SW-74-3	1	1	0.25N
4	SW2AD-74-20	2	1	0.25N

Typical Specifications

Items	Specifications
Rating	1mA 5V DC (Resistive load)
Contact resistance	1 ohm max
Insulation resistance	50 megohm
Withstanding voltage	100V AC for 1min
Operating life	20,000 cycles

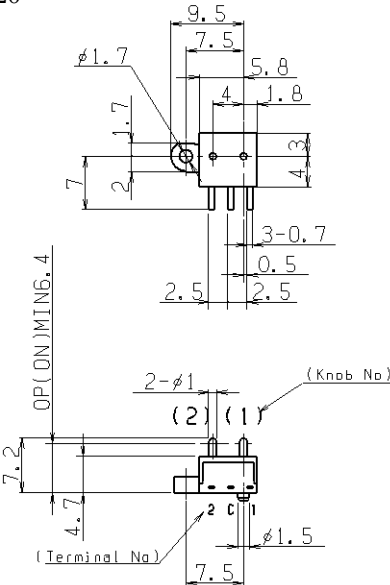
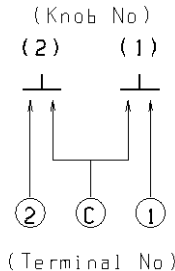
Dimensions

Unit : mm

No	Style	Circuit Diagram
1	<p>SW-74</p> 	
2	<p>SW-74-2</p> 	
3	<p>SW-74-3</p> 	

Dimensions

Unit : mm

No	Style	Circuit Diagram
4	SW2AD-74-20 	 <p>(Knob No) (2) (1)</p> <p>(Terminal No) 2 C 1</p>

Notes

1. The appearance and specifications of the product may be modified without prior notice to improve its performance.
2. This catalog shows only outline specifications. When using the product, please obtain formal specifications supply.
3. Please see appendix [Cautions in Using Switches].
4. For high safety applications, please confirm with protection and redundant circuit.
5. This detector switch is not a washable type.
6. In manual soldering, consideration should be given to apply the soldering iron to the tip of the terminal so that unusual pressure is not applied to the terminal.
7. Please do not apply pressure for 1 minute after soldering.
8. Since soldering quality may deteriorate due to sulfuration and oxidation of terminals, please use as soon as possible within maximum 6 months after delivery and use within a after opening the package condition and the one within 1 week after you unpack it again.
9. Please confirm the performance on actual operation by simulation with actual environment environments for high reliability.