

Typical Specifications

Item	Specifications
Ratings (max.) (Resistive load)	50mA 12V DC
Contact resistance	100 milliohm max. (Initial)
Insulation resistance	100 megohm min. 100V DC
Withstanding voltage	250V AC for 1min.
Operating force	With 1st click feeling type ; 1st 980mN,2nd 2548mN Without 1st click feeling type ; 1st <588mN,2nd 2352mN
Operating life	With 1st click feeling type ; 30,000 cycles Without 1st click feeling type ; 100,000 cycles
Operating temperature range	-20 to +70 degree Celsius
Storage temperature range	-30 to +80 degree Celsius (except carrier tape)

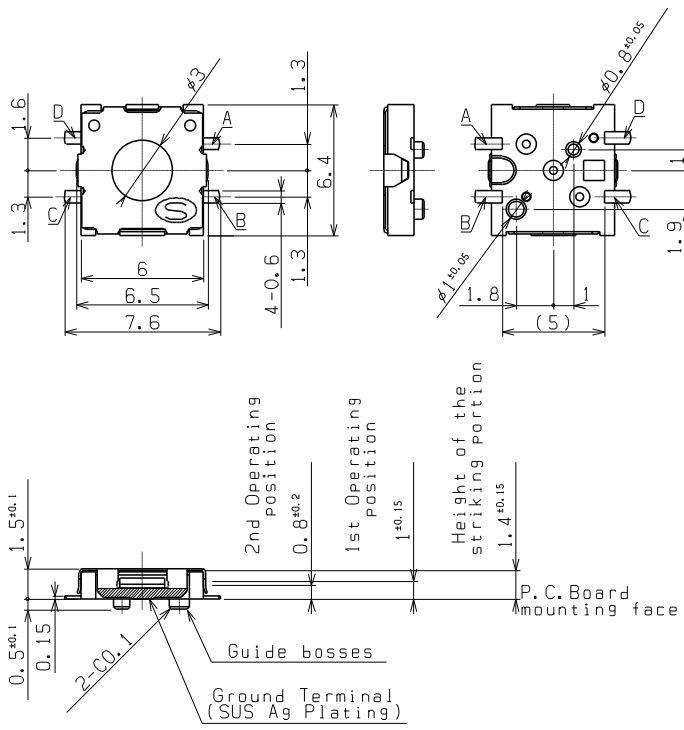
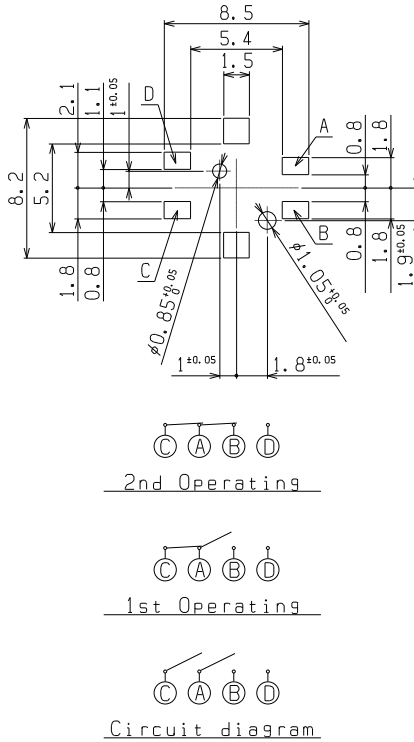
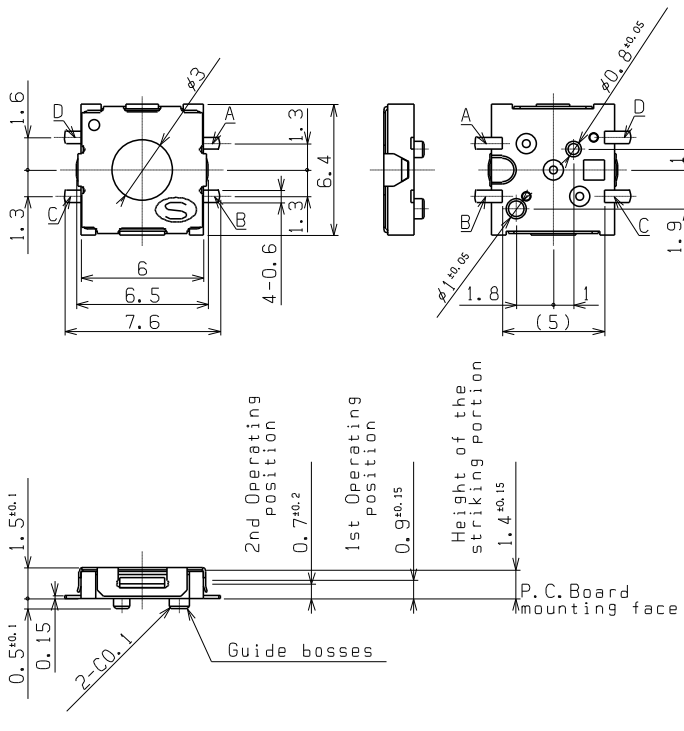
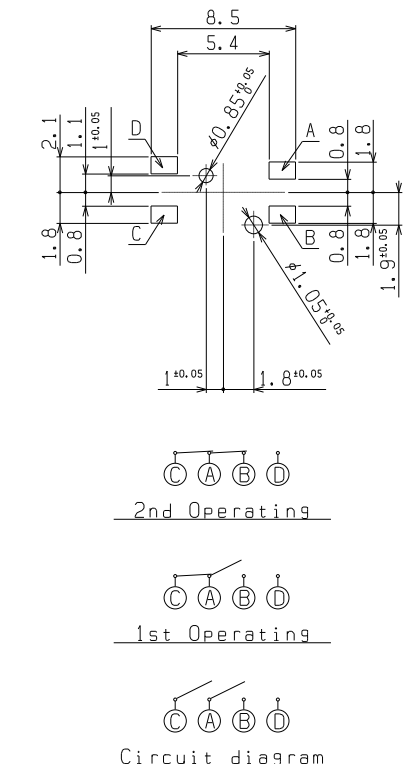
Dimensions

Unit : mm

No	Style	P.C.B reference Land Dimensions Circuit Diagram (TOP VIEW)
1	<p>With 1st click feeling / Without ground terminal TSW-3A-T50</p>	

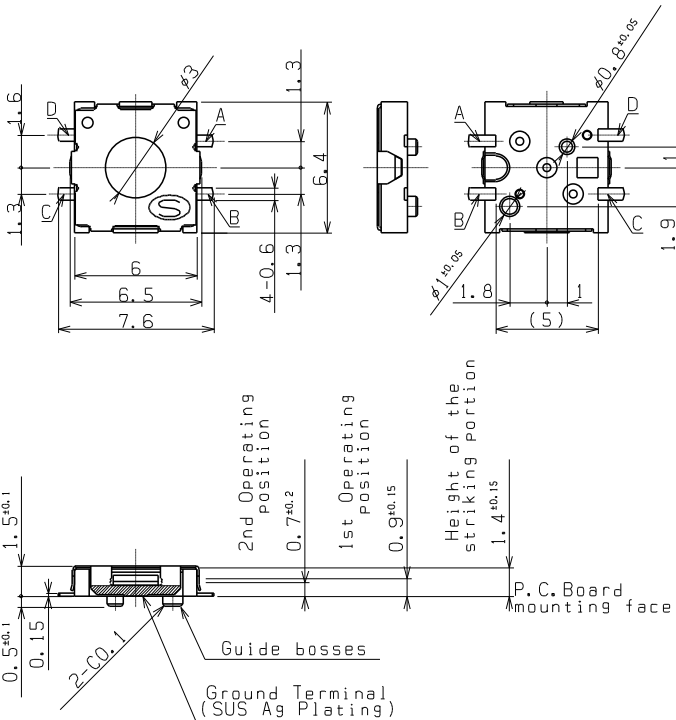
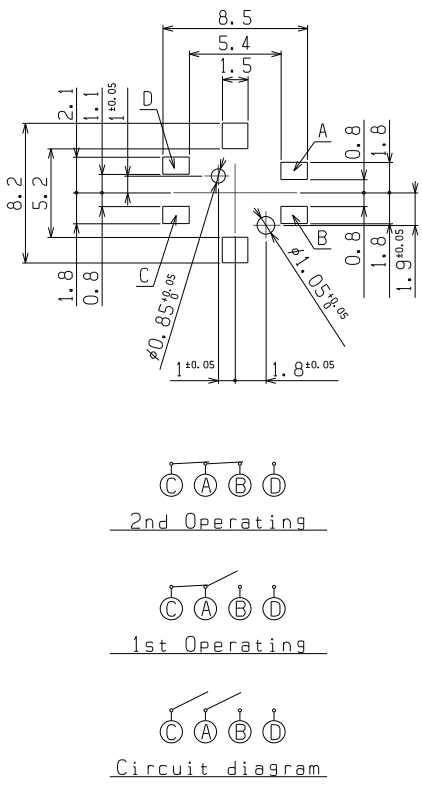
Dimensions

Unit : mm

No	Style	P.C.B reference Land Dimensions Circuit Diagram (TOP VIEW)
2	<p>With 1st click feeling / With ground terminal TSW-3A-GT50</p> 	
3	<p>Without 1st click feeling / Without ground terminal TSW-3E-T50</p> 	

Dimensions

Unit : mm

No	Style	P.C.B reference Land Dimensions Circuit Diagram (TOP VIEW)
4	<p>Without 1st click feeling / With ground terminal TSW-3E-GT50</p> 	

Notes

1. The appearance and specifications of the product may be modified to improve its performance without prior notice.
2. This catalog shows only outline specifications. When using the product, please obtain formal specifications.
3. Please see appendix [Cautions in Using Switches].
4. 5,000pcs/one reel is the minimum packing unit. It is requested that the quantity of order shall be an integer multiple of the minimum packing unit.
5. Please set the reflow soldering condition confirming under the actual conditions of mass-production.
6. Characteristics of switch may change due to the warping of the circuit writing board. Consideration shall be given to the pattern design and layout.
7. This push switch is not washable.
8. This push switch permits reflow soldering and the switch has the possibility to be mounted on the edge of the PC board. But auto-dip shall not be done after the mounting of the switch because of the big possibility of the penetration of the soldering flux into the contacts sliding portion.
9. Larger stress than specified and/ or shock shall not be applied during switch operation.
10. Do not press the portion of the film by the sharp edged object.
11. In manual soldering, consider that the abnormal pressure of the soldering iron shall not be applied to the tip of the terminal as well do not apply any pressure for more than 1 minute after soldering.
12. Care shall be taken so that the flux shall not penetrate into the terminal portion.
13. The operating characteristic may change if force is exerted to the top the cover.