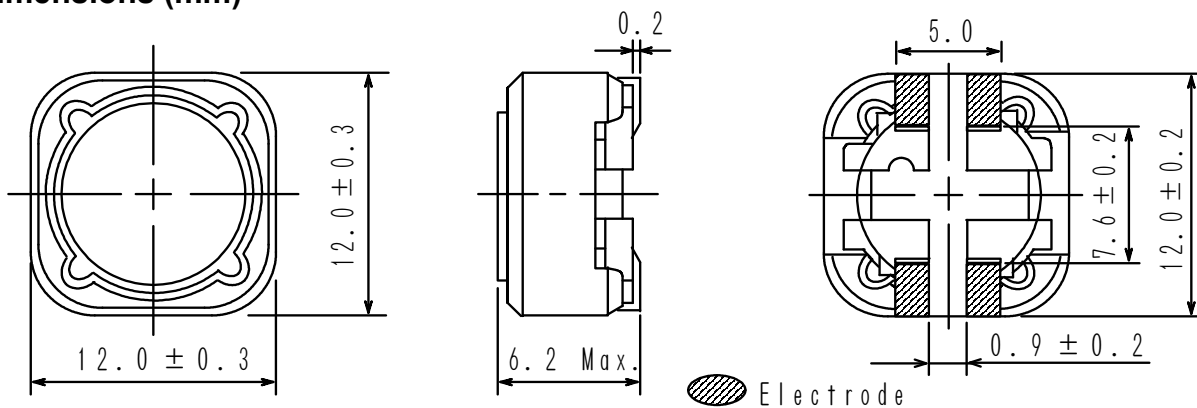
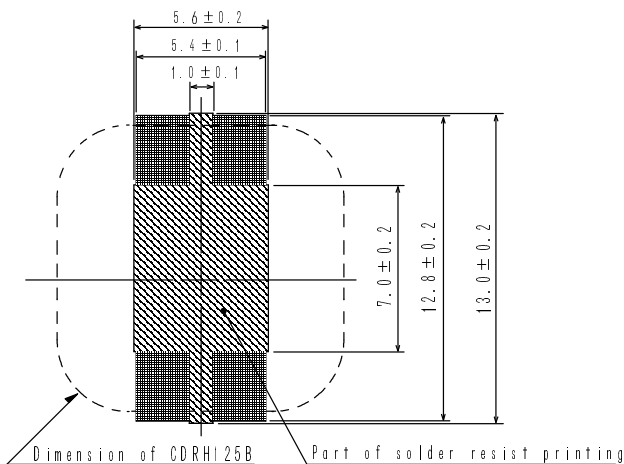
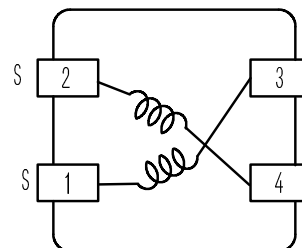


**Type: CDRH125B**
**◆ Product Description**

- 12.3×12.3mm Max.(L×W), 6.2mm Max. Height.
- Reference Inductance:22μH.
- Reference Rated current:2.3A.
- In addition to the standard versions of inductors shown here, custom inductors are available to meet your exact requirements.


**◆ Feature**

- Magnetically shielded construction.
- 4 Terminal pins' type gives a flexible design as inductors or transformers(SEPIC,ZETA circuit,etc).
- Ideally used in power supplies' module and portable devices such as Notebook PC,DSC/DVC,PDA, etc as DC-DC Converter inductors.
- RoHS Compliance.

**◆ Dimensions (mm)**

**◆ Land Pattern (mm)**

**◆ Schematics (Bottom)**


“ S ” is winding start.

**Type: CDRH125B**
**◆ Specification**

			Measuring conditions
Inductance	(2-4)	22 $\mu$ H $\pm$ 30% Within	1kHz
Inductance	(1-3)	22 $\mu$ H Ref.	1kHz
D.C.R.	(1-3)	107m $\Omega$ Max. (79m $\Omega$ Typ.)	at 20 $^{\circ}$ C
Rated current	(2-4) ※	2.3A	
Rated current	(1-3) ※	2.3A	

※ This indicates the DC current at which the inductance decreases to 75% of its nominal value or D.C. current at which  $\Delta t=40^{\circ}\text{C}$ , whichever is lower( $T_a=20^{\circ}\text{C}$ ).