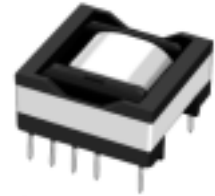


**Type: EEH157**

◆ **Product Description**

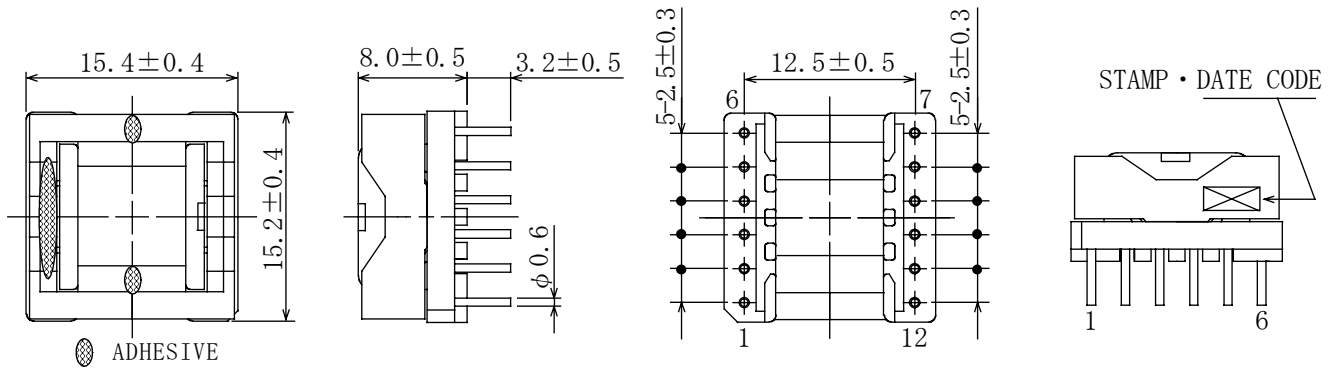
- 15.8 × 15.6mm Max.(L×W), 8.5Max. Height.
- In addition to the typical versions of parameters shown here, custom parameters are available to meet your exact requirements.



◆ **Feature**

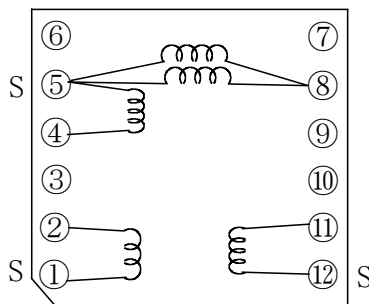
- Max. Operating frequency 300kHz, Max. Operating Power 7.6W(300kHz).
- Ideally used in AC adapter for cellular phone, Portable equipment.
- Ideally used in PoE transformer.
- RoHS Compliance

◆ **Dimensions (mm)**



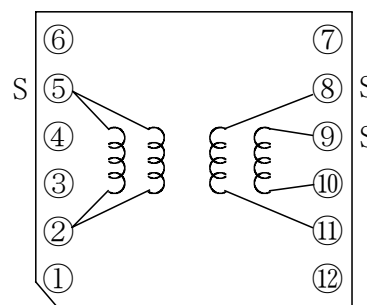
◆ **Schematics (Bottom)**

**For General Power Transformer**



“S” indicates winding start.

**For Power over Ethernet Transformer**



“S” indicates winding start.

**Type: EEH157**
**◆ Specification (For General Power Transformer)**

Sample No.	Inductance (1-2) 10kHz/1V	D.C.R. (5-8) (m Ω Max.)	Hi-pot (1,2,4,5,8-11,12) (50/60Hz)
4390-T160	1,75mH ± 25%	250	AC 500Vrms/1min.

**◆ Specification (For Power over Ethernet Transformer)**

Sample No.	Turns Ratio (Pri:Sec:Aux)	Primary Inductance 1kHz/1V	Pri-Sec. Insulation	Leakage L (μ H Max.)	D.C.R. (m Ω Max.)		
					Pri.	Aux.	Sec.
4390-T143	1:0.429:0.429	150 μ H ± 25%	DC500V (2mA,1min)	5.0	170	90	90