

AC-AC Low-Frequency Transformer

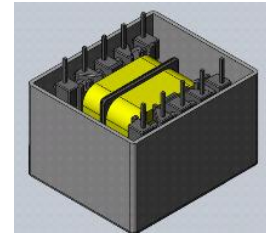
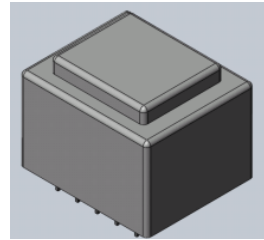
EIH3024



Under Development Type

Description

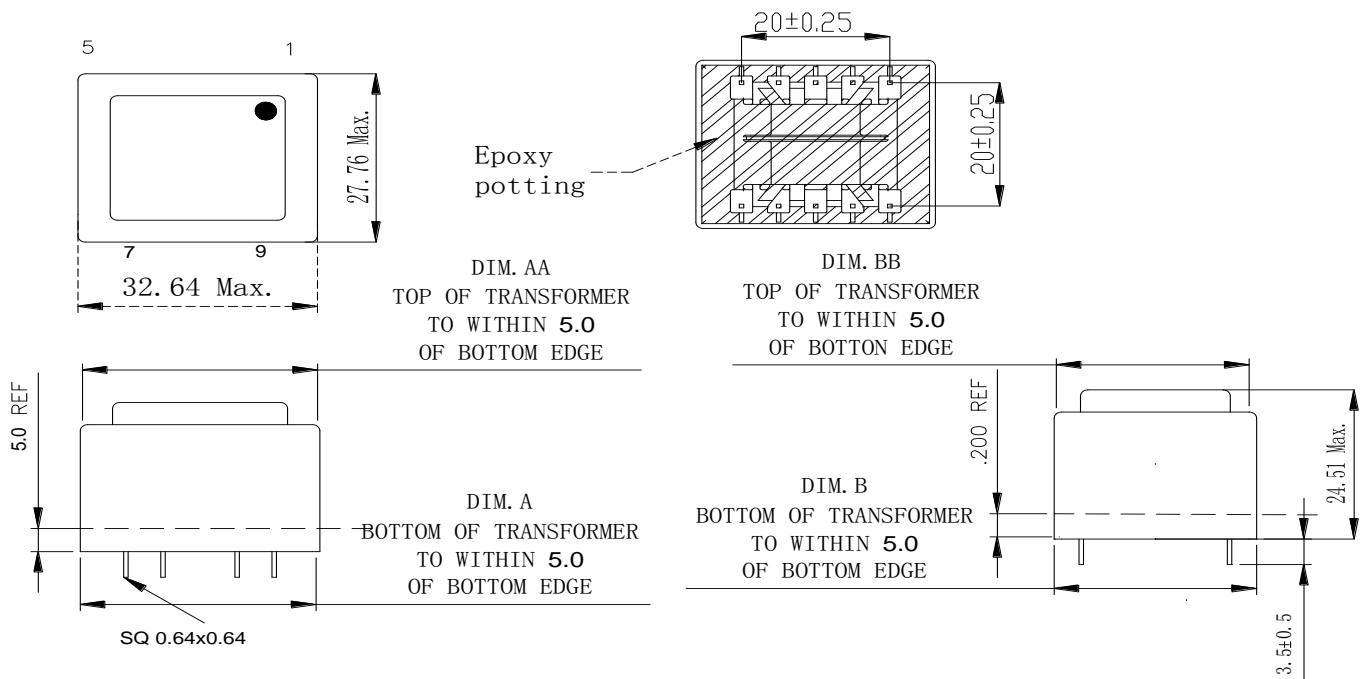
- LxWxH:32.64x27.76x24.51mm Max.
- Custom design is available.
- RoHS Compliance.



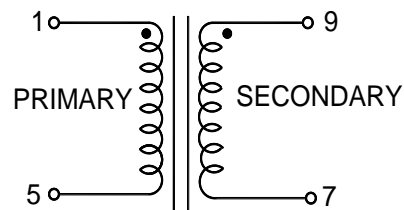
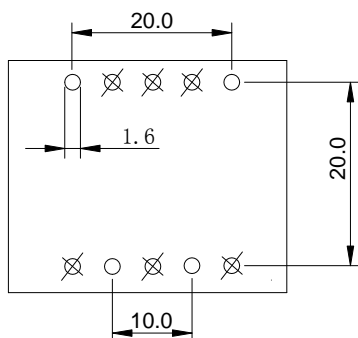
Feature

- Laminated Steel Transformers (4 models) for Consumer Smart Electrical Metering Power Supply.
- Operating frequency 50Hz~60Hz.
- Operating Power 2.5W Max.
- Operating temperature range : - 40°C~+105°C (including self-heating)

Dimensions - [mm]



Land patterns and Schematics (bottom view)- [mm]



“●” indicate the winding start.

Note: This specification is subject to change without notice. Please contact your nearest sales office for updated information when placing an order.

AC-AC Low-Frequency Transformer

EIH3024



Under Development Type



Electrical Characteristics

		MEASURING CONDITIONS
Exciting Current (1-5)	13mA AC Max.	Input 120Vac 60Hz
Hi-pot (1,5-7,9)	6000Vac	60/50Hz,1.0mA 2sec.
D.C.R. (1-5)	650Ω Max.	
D.C.R. (9-7)	326Ω Max.	

	Loading	No loading
Voltage (1-5) 120VAC 60HZ		
Voltage (9-7)	60VAC Min. (into 47000ohms)	60.0VAC±5%



For sales office information, please [click here](#) to visit our website.

Note: This specification is subject to change without notice. Please contact your nearest sales office for updated information when placing an order.